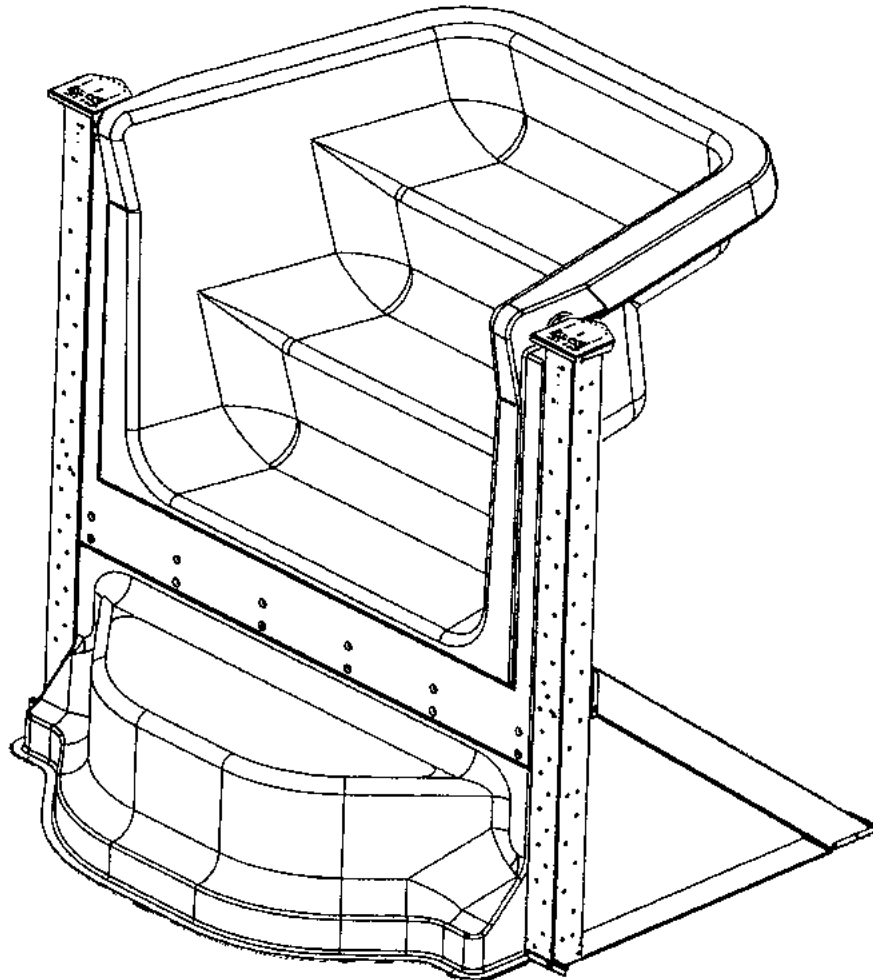
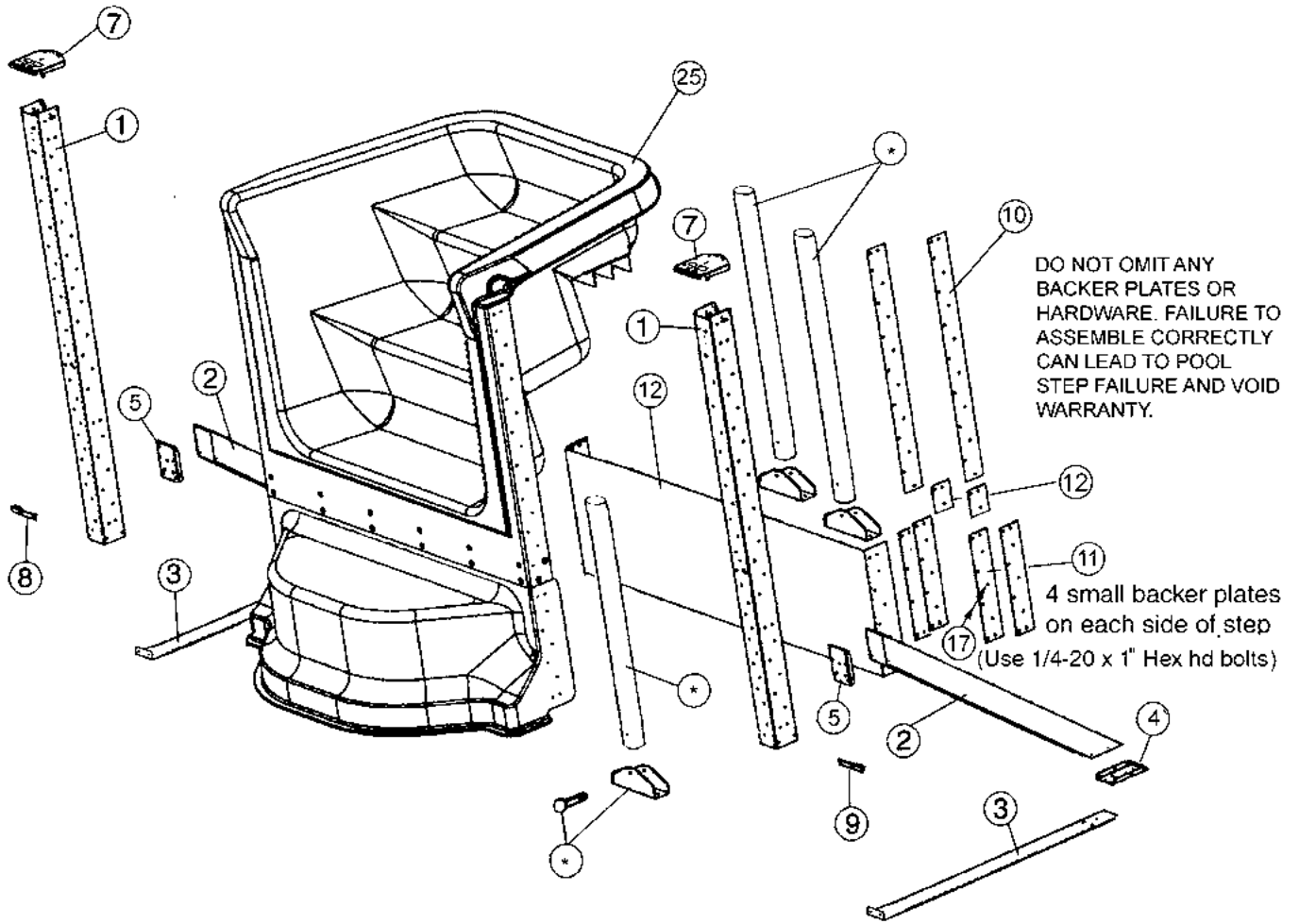


In Wall Pool Step Frame
0-5700-402 / 1-5700-402

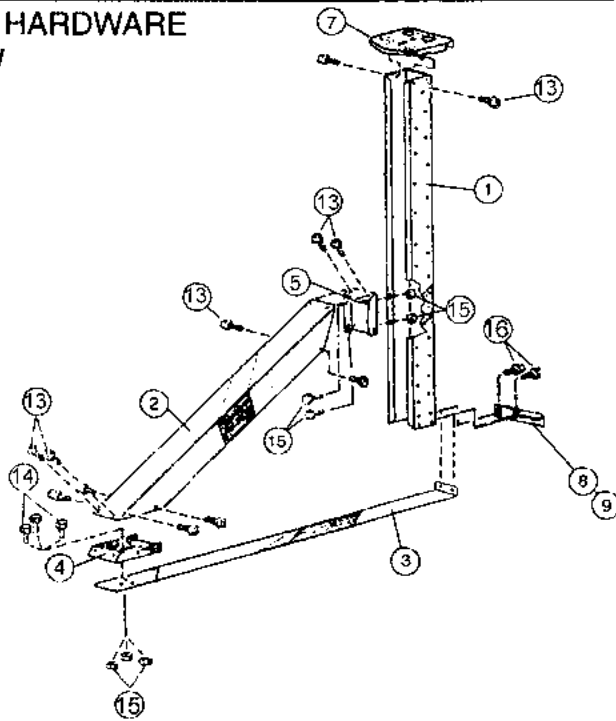
PARTS LIST



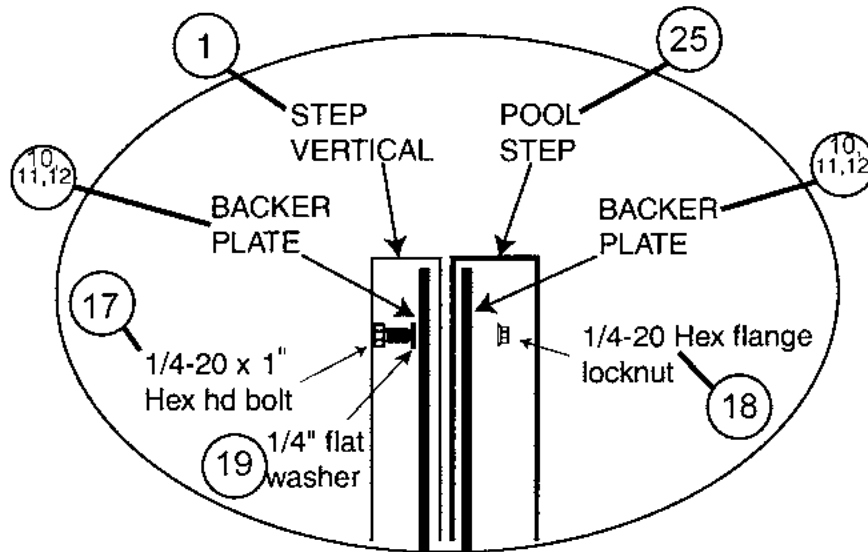
EXPLODED PARTS VIEW



SUPPORT WITH HARDWARE
CLOSE-UP VIEW



ITEM	DESCRIPTION	PART #	QTY
	ASSEMBLY PACK	0 or 1 -5700-402	1
1.	Step vertical	580-2306	2
2.	Vertical brace	580-1969	2
3.	Outside strap	580-2311	2
4.	Brace connector - long (unpainted)	580-1051	2
5.	Brace connector - short (painted)	580-2318	2
6.	Spanner wall plate	580-2307	1
7.	Vertical end cap	580-2286	2
8.	Btm rail locator - left	580-2308	1
9.	Btm rail locator - right	580-2309	1
10.	Backer plate - long	580-2303	4
11.	Backer plate - short	580-2304	8
12.	Splice plate - (short backer plate)	580-2367	4
13.	Sheet metal screw #10 x 1/2"	330-1127	24
14.	Hex hd bolt 1/4-20 x 1/2"	510-1018	14
15.	Hex nut 1/4-20	511-1000	14
16.	Phillips pan hd screw #10 x 1/2"	510-1036	4
17.	1/4-20 x 1" Hex hd bolt (grade 5)	510-1040	58
18.	1/4-20 Hex flange locknut	321-1029	58
19.	1/4" flat washer	426-1000	58
20.	Safety First Booklet	573-3169	1
21.	Parts List	573-3613	1
22.	A/G in wall step	573-3612	1
23.	Below grade installation instructions	573-3448	1
24.	No Diving decal	560-1044	1
25.	POOL STEP (sold separately)	0 or 1 -5700-401	1
*	* Items are included with step		



The above illustration shows correct hardware placement when installing backer plates. Refer to exploded view for backer plate locations.



Important! Above-ground pools are designed for swimming and wading only. Do not Dive or Jump! Misuse of your pool may result in crippling injury and/or other dangers to life and health. Do not use slides, diving boards, or any other platform or object which can be used for improper pool entry. Use only an above-ground swimming pool ladder or entry system to enter or exit your pool. Never attempt to swim or reach behind ladders or any other pool entry system. It is the pool owner's responsibility to secure the pool against unauthorized, unsupervised or unintentional entry. It is also the pool owner's responsibility to warn all pool users of the hazards of diving into shallow water: paralyzing injury may result. Always obey all safety rules. Remember, pool safety is everybody's responsibility.

Safety decals and caution information provided with your pool have been endorsed by the U.S. Consumer Product Safety Commission. It is mandatory that the pool owner and installer follow the installation and use directions for all provided safety signs and decals. Juveniles must be supervised at all times by a responsible adult as directed by the USCPSC.

Change of Design: The manufacturer expressly reserves the right to change or modify the design and construction of any product in due course of their manufacturing procedures, without incurring any obligation to furnish or install such changes or modifications on products previously or subsequently sold.

HII • 315 N. Sebastian St. • West Helena, AR 72390