

In-Wall Pool Step Assembly Instructions

This instruction sheet is to be used in conjunction with the pool assembly guide included with your pool. Follow all directions carefully and pre-read all instructions prior to assembly.

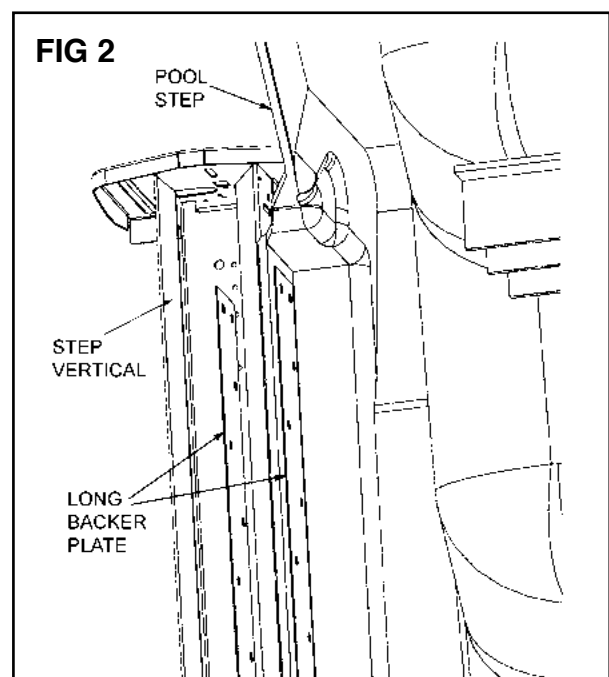
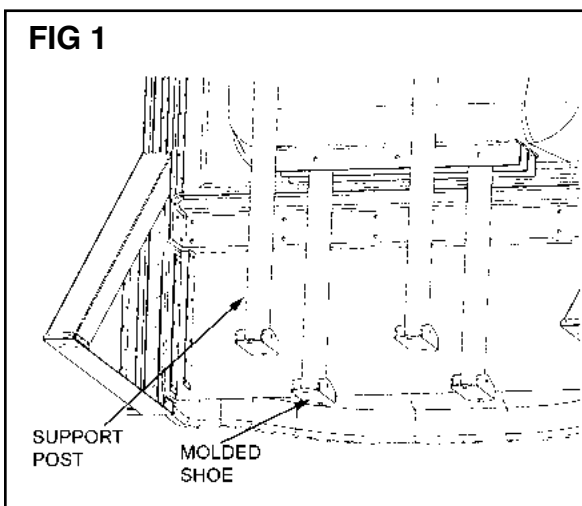
Important - The step is installed only in place of one bottom rail/top rail section, not in the middle of bottom rail/top rail section. No cutting of top rails or bottom rails is needed. On a 18ft oval, the step can only be positioned on either side of the direct center of the oval radius ends.

The step is intended to be used in-ground or with a deck. The step must have a deck support around it to prevent any misuse entering or exiting the pool. The warranty will be void for any misuse of this product.

Material required: (6) 12" x 12" smooth patio blocks

STEP PRE-ASSEMBLY

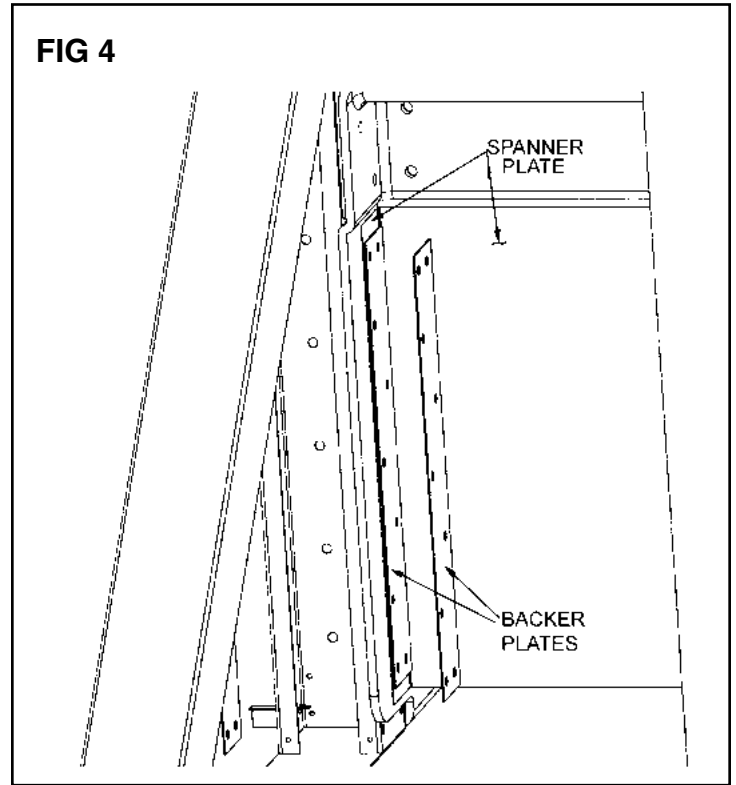
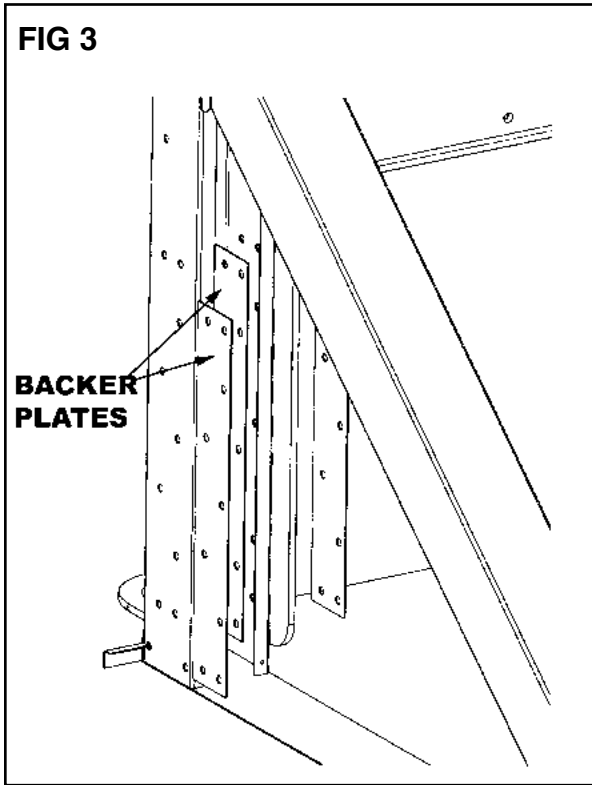
To assemble steps, start by placing the steps face down on a piece of cardboard or other material, to protect the step surface. Attach the molded shoes and support posts, refer to Fig 1 below. Make sure the support posts are kept straight and vertical when the step is placed in position on the pools framework. Some cutting of the support posts may be required so that they will be level with the surrounding area. Position a vertical support (item #1) against the side of the step, aligning the holes. The vertical supports opening will be towards the outside of the pool, refer to Fig 2 below. Place a long backer plate (item #10) on each side of the vertical and step, see Fig 2 below. Attach using 1/4-20 x 1" hex hd bolts, flat washers and locknuts. Refer to the Parts List for proper placement of hardware. **DO NOT OMIT ANY FASTENERS.**



Place 2 short backer plates on the inside of the step vertical, see Fig 3 below. Place the spanner plate (item #12) and 2 short backer plates on the step side, see Fig 4 below. Fasten with 1/4-20 x 1" hex hd bolts, flat washers and locknuts. Refer to the Parts List for proper placement of hardware.

DO NOT OMIT ANY FASTENERS.

The support brace, bottom strap and bottom rail locator shown in the following illustrations will be assembled later in the instructions.

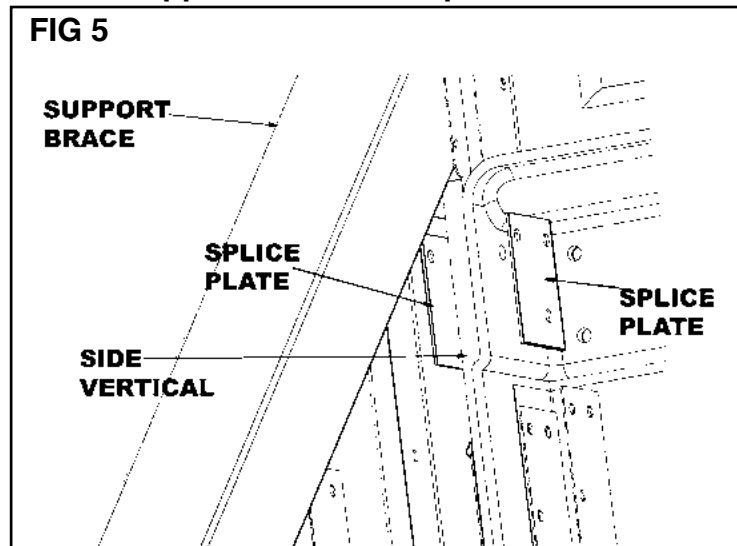


Place 1 small splice plate (item #12) on the inside of the vertical and 1 on the step side. These small plates will fit between the long backer plates and short backer plates, see Fig 5 below.

Fasten with 1/4-20 x 1" hex hd bolts, flat washers and locknuts.

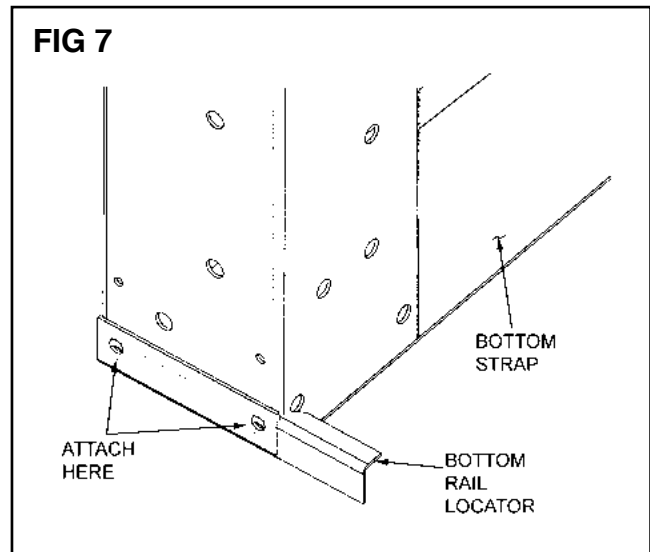
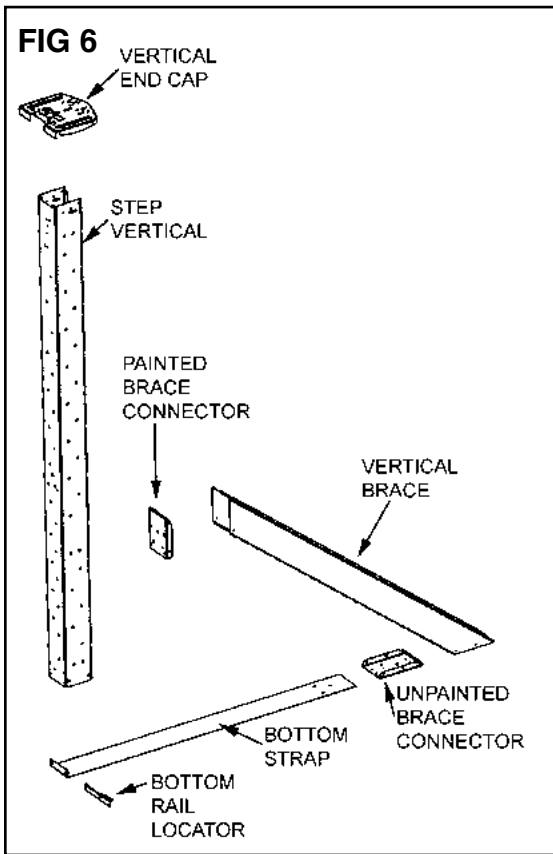
Refer to the Parts List for proper placement of hardware. **DO NOT OMIT ANY FASTENERS.**

Repeat the process to assemble opposite side of step.

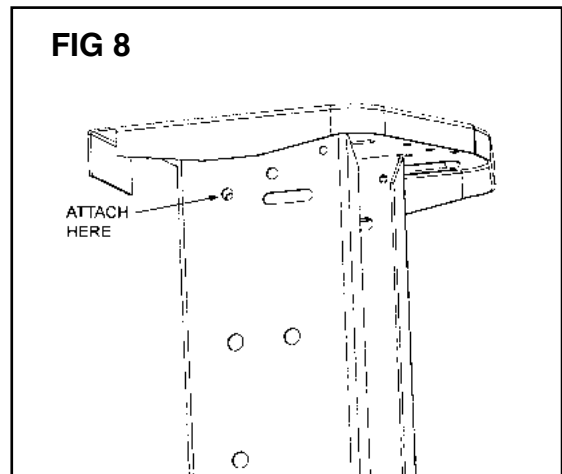


Return the step assembly to the upright position. Attach the painted brace connector approximately 1/3 the way up from the bottom of the vertical. There will be 2 holes on each flange of the vertical for a total of 4 mounting holes. The brace connector will have 3 flanges and the side with no flange will be the bottom. Attach the painted brace connector using (4) 1/4-20 x 1/2" hex hed bolts and nuts. Refer to Fig 6 below for proper mounting and location. Next attached the unpainted brace connector to the bottom strap using (3) 1/4-20 x 1/2" hex hd bolts and nuts. Refer to Fig 6 below. Fit the vertical brace into the unpainted brace connector attached to the strap and attach using (6) #10x1/2" sheet metal screws. Fit the upper section of the brace into the painted brace connector and slide the bent end of the strap under the step vertical. Attach the brace to the brace connector using (4) #10x1/2" sheet metal screws. Align the bottom rail locator, left or right depending on which side you are working on, with the holes in the strap and vertical and attach using (2) #10 x 1/2" phillips pan head screws, refer to Fig 7 below. The tab on the bottom rail locator will be on the outside edge of each vertical. **DO NOT OMIT ANY FASTENERS.**

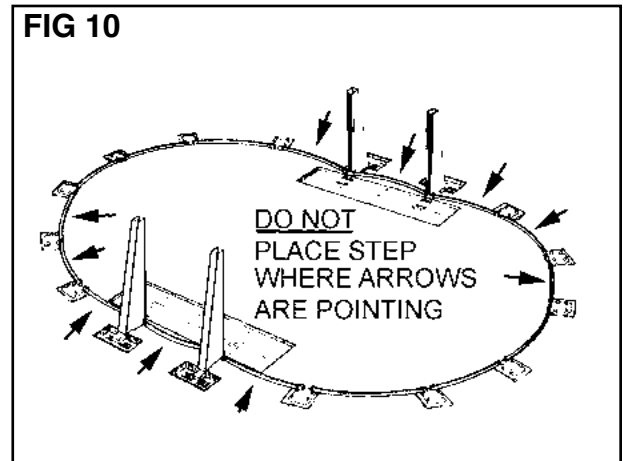
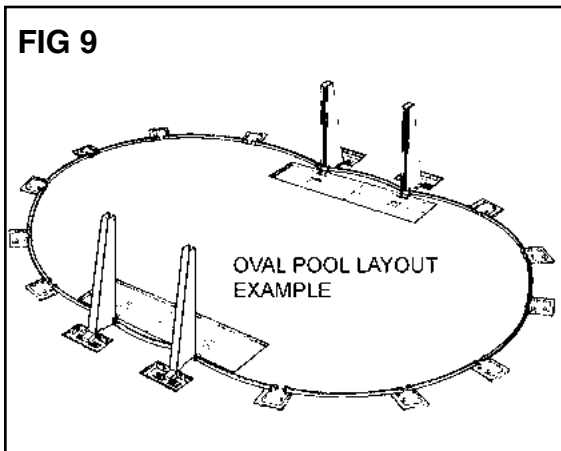
Repeat these steps for opposite side of the pool step.



Place the vertical end cap on top of the step vertical, Refer to Fig 8. Position the tab closest to the step on the outside of the vertical and position the other tab on the inside of the vertical. Fasten the tab that is on the outside of the vertical from inside the vertical using (1) #10 x 1/2" sheet metal screw. Fasten the other tab from the outside of the vertical using the same type screw. See Fig 8 showing the outside view of the vertical with the tab on the inside and mounting hole alignment. It will very difficult to fasten the end caps if not done per these instructions.

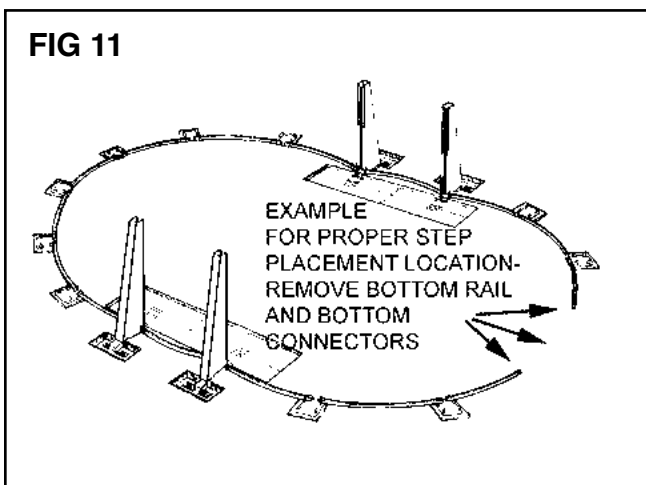


Follow the directions in your pools assembly guide until you have completed the section on laying out the bottom rail framework, See Fig 9 below. At this point you will need to decide where you want to locate the pool step. Remember, the step can only be located at the radius ends of an oval, See Fig 10 below. The skimmer and return holes in the pool wall will be located to the left of the step (when standing inside the pool area and facing the step), so keep this in mind when locating the pool step.



Once the step location has been decided, remove (1) bottom rail and (2) bottom connectors from the area you will be placing the step, See Fig 11 below. With help, position the step assembly in place and insert the bottom rails onto the bottom rail locators on each side of the step.

Scribe a 14"x14" square around the area where each support post and the area where the support brace contacts the ground on the outer edge. This is where you will locate the (6) 12"x12" patio blocks. Disconnect the bottom rails from the step and move the step assembly aside. Excavate the scribed area so the patio block will sit level and be level to the surrounding area. The patio blocks are required and must be used to prevent the support post and the support brace from sinking into the ground. Return the step to the original location and re-attach bottom rails to each side. Make sure the step sits level on top of the patio blocks and adjust if needed.



Refer to your pools assembly guide about installing the wall before starting this step. Start the pool wall on the right side of the step assembly by uncoiling the pool wall about 6 to 10 feet and insert bottom edge into groove in the bottom rail track. Slide the end of the wall joint towards the step until the holes in the wall joint line up with the holes in the step vertical. Be sure the top edge of the wall slides under the vertical end cap before fastening wall to vertical. Insert 1/4-20 x 1/2" long phillips head screws with the screw head to the inside of the pool wall and 1/4-20 locknut on the inside of the vertical. Loosely attach all the screws and nuts first, then tighten them securely. Recheck the tightness of the screws and nuts at least twice to insure a proper seat. File off any sharp burrs on the screw heads, then place the protective wall strip over the screws and secure with duct tape. Finish installing the wall around the perimeter of the pool until you reach the other side of the step and repeat the steps above to attach wall to step vertical. Refer to your pools assembly guide for directions installing the wall to help insure the wall is installed correctly.

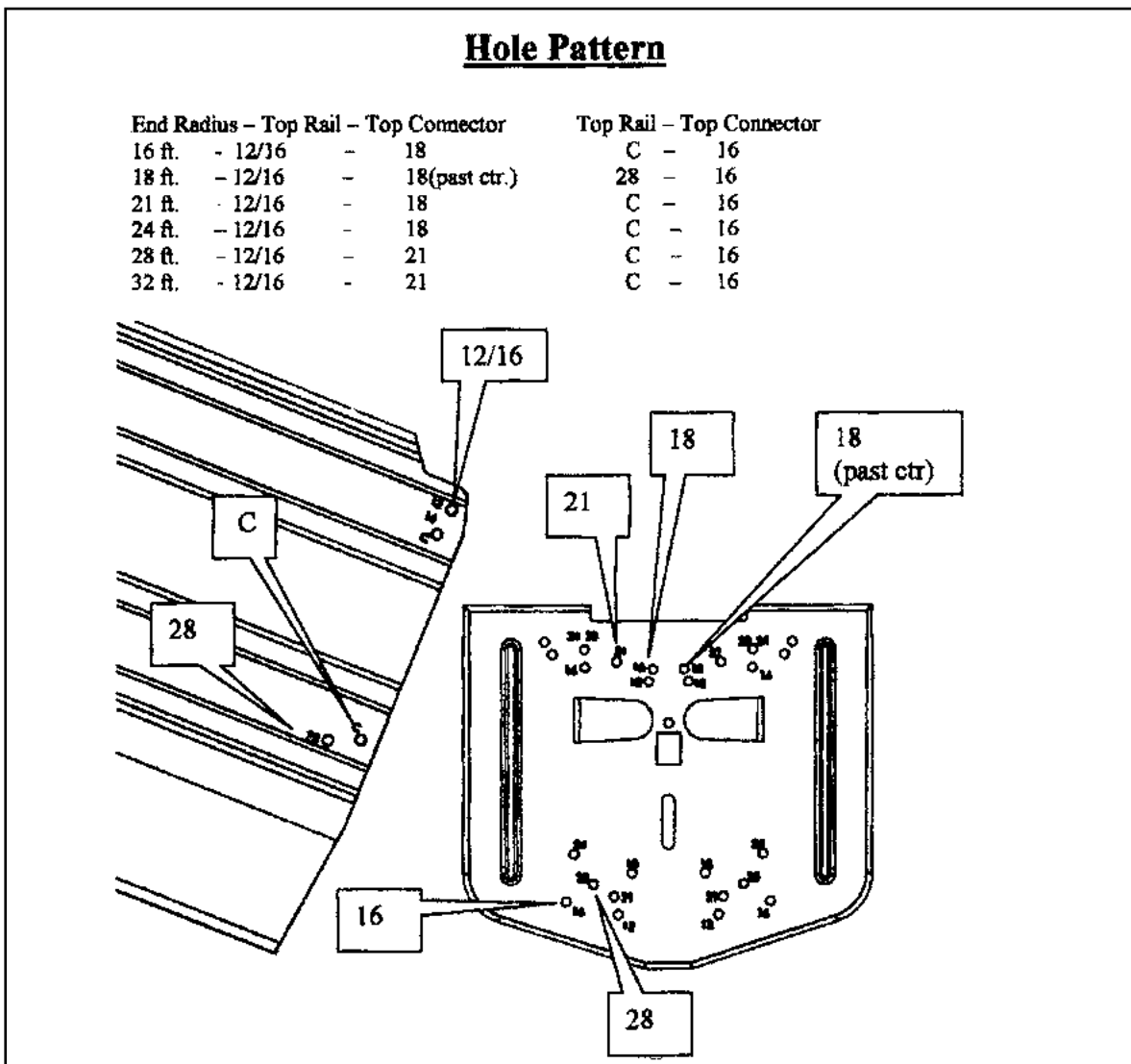
If you are installing a beaded liner with bead receiver, you will need to remove the vertical face plate strips from the pool step so the bead receiver will fit flush with the step. The strips will need to be trimmed before re-installing. Once the bead receiver is flush with the step, position the face plate strip in place and mark the strip just below the bead receiver and cut the strip so it fits just below the bottom edge of the bead receiver when the face plate is fastened to the step after the liner is installed . Return to your pools assembly guide to install verticals, top rails and other hardware and cove. Once you've completed the section in your pools assembly guide about pool cove and have installed pool cove around the inside perimeter of the pool, you will need to build a dirt/earth cove around the base of the pool step approximately 2" high. This will help prevent wrinkles when installing the liner.

Before you install the liner, you will need to remove the remaining face plate strips from the step. Make sure the gasket remains attached to the step. Install the liner per the instructions included with the liner or your pools assembly guide. If you are installing a beaded liner, you will need start the liner on each side of the step approximately six feet and making sure not to stretch the liner between the step opening, then continue around the pool installing the liner into the bead receiver. Before installing an oval liner, make sure the liner is aligned correctly with the pool layout. When you start filling the pool with water, you will need to pay close attention to the liner at the step area for any wrinkles and adjust them as needed immediately, you will not be able to do this once the water level reaches a certain depth because there will be too much weight on the liner to press out any wrinkles. When the water level is approximately 3" above the first step and the liner is against the pool wall, start fastening the bottom face plate strip to the pool step using the supplied screws. Finish installing the remaining face plate strips until all are in place. Make sure all screws are tight and secure before adding the cover strips in the face plate groove. At this point you are ready to trim the liner area at the step opening. Make sure you trim the liner on the correct side of the face plate. Trim along the inside edge of the face plate along the opening until the liner is completely trimmed. Continue filling pool and watch for any wrinkles and adjust as needed. If a leak occurs around the liner face plate, re-tighten all screws and check again.

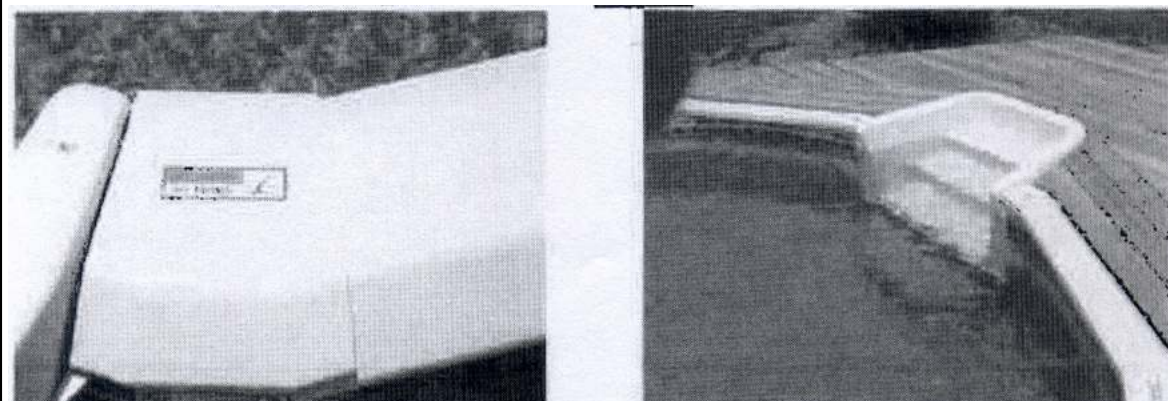
Attach the top rails on both sides of the step assembly before attaching any other top rails. Use the illustration below to attach each top rail to the vertical end cap on the step. The hole pattern below is only for the vertical end caps on the step assembly.

Once these top rails are attached, refer to your pools assembly guide to finish attaching all other top rails using the correct hole pattern for your pool.

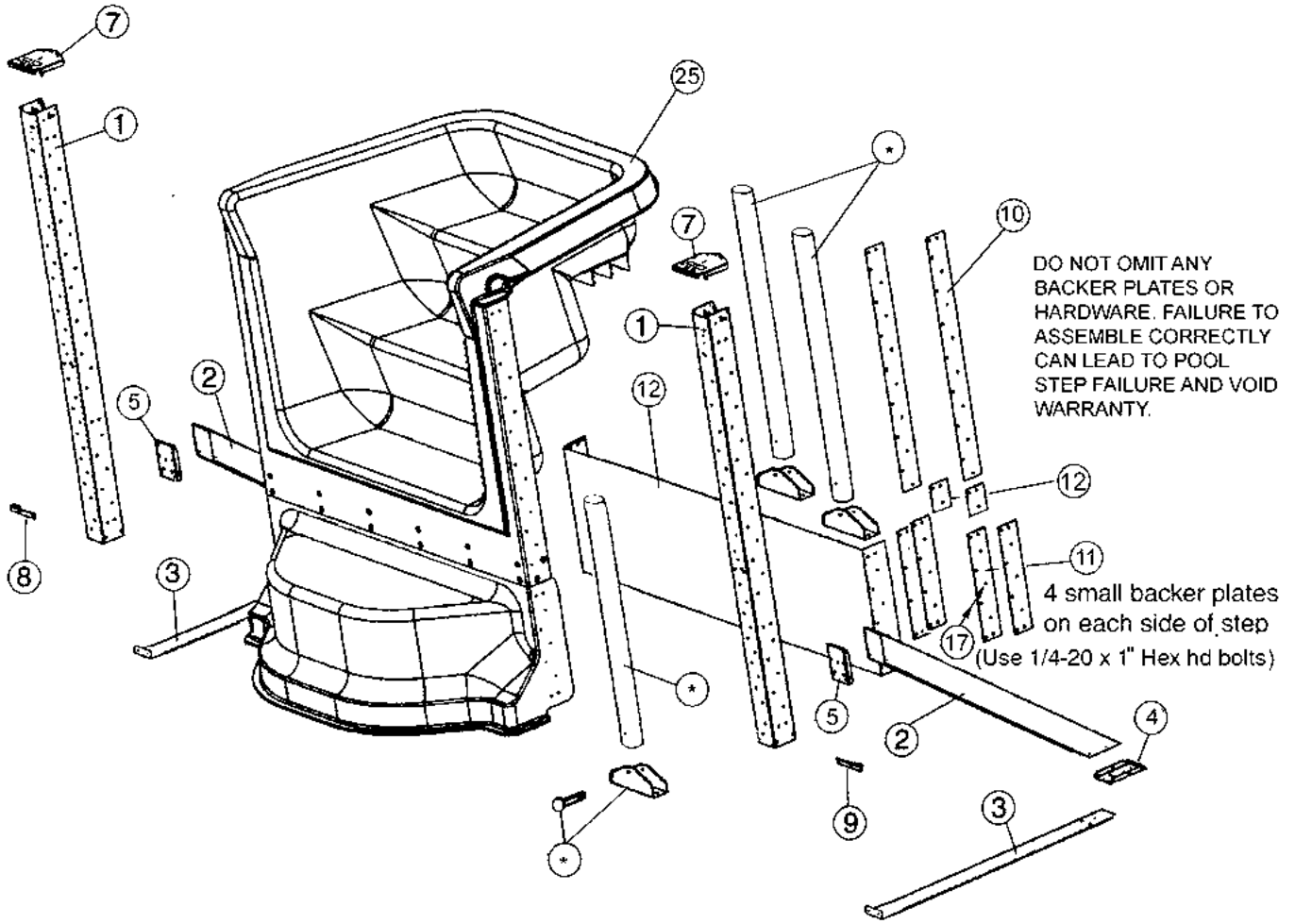
Make sure to follow your pools assembly guide instructions to complete the pool assembly.



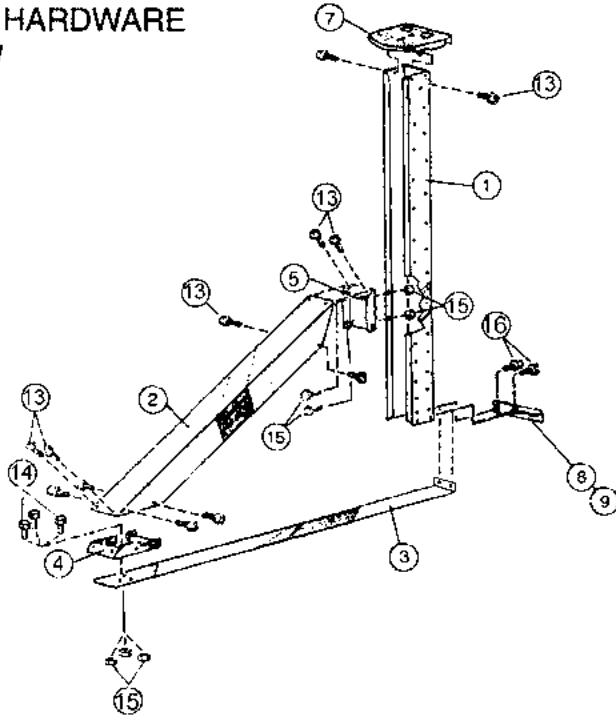
Example showing top connector attached and finished step installation.



EXPLODED PARTS VIEW



**SUPPORT WITH HARDWARE
CLOSE-UP VIEW**



ATTENTION

IMPORTANT INFORMATION

PLEASE READ

BE SURE TO FOLLOW THESE INSTRUCTIONS AND DVD VIDEO VERY CAREFULLY. POOL FAILURE MAY OCCUR IF THE STEP ASSEMBLY IS NOT DONE CORRECTLY.

BE SURE TO USE ALL BOLTS, WASHERS, NUTS AND HARDWARE INCLUDED AND THAT ALL BACKER PLATES ARE INSTALLED CORRECTLY. IF YOU ARE NOT SURE OF THE PROPER ASSEMBLY, PLEASE REVIEW THESE INSTRUCTIONS AND VIDEO. IF YOU HAVE ANY QUESTIONS CONCERNING THE CORRECT INSTALLATION, PLEASE CONTACT CUSTOMER SERVICE AT 1-877-228-4586.



Important! Above-ground pools are designed for swimming and wading only. Do not Dive or Jump! Misuse of your pool may result in crippling injury and/or other dangers to life and health. Do not use slides, diving boards, or any other platform or object which can be used for improper pool entry. Use only an above-ground swimming pool ladder or entry system to enter or exit your pool. Never attempt to swim or reach behind ladders or any other pool entry system. It is the pool owner's responsibility to secure the pool against unauthorized, unsupervised or unintentional entry. It is also the pool owner's responsibility to warn all pool users of the hazards of diving into shallow water: paralyzing injury may result. Always obey all safety rules. Remember, pool safety is everybody's responsibility.

Safety decals and caution information provided with your pool have been endorsed by the U.S. Consumer Product Safety Commission. It is mandatory that the pool owner and installer follow the installation and use directions for all provided safety signs and decals. Juveniles must be supervised at all times by a responsible adult as directed by the USCPSC.

Change of Design: The manufacturer expressly reserves the right to change or modify the design and construction of any product in due course of their manufacturing procedures, without incurring any obligation to furnish or install such changes or modifications on products previously or subsequently sold.