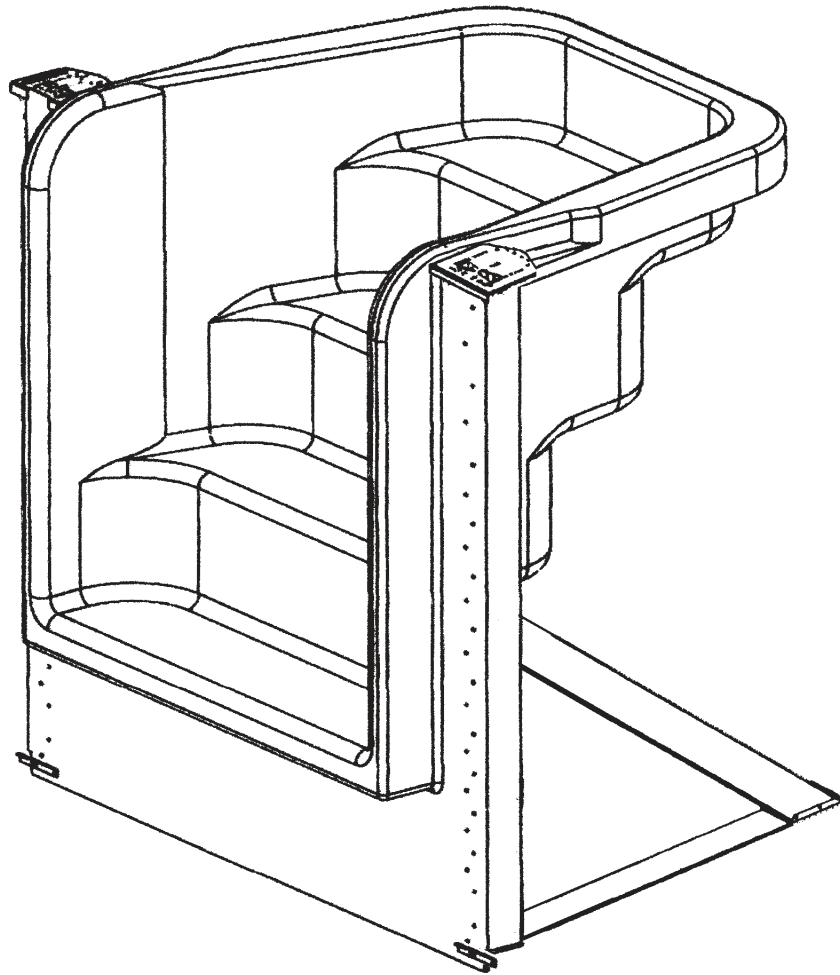


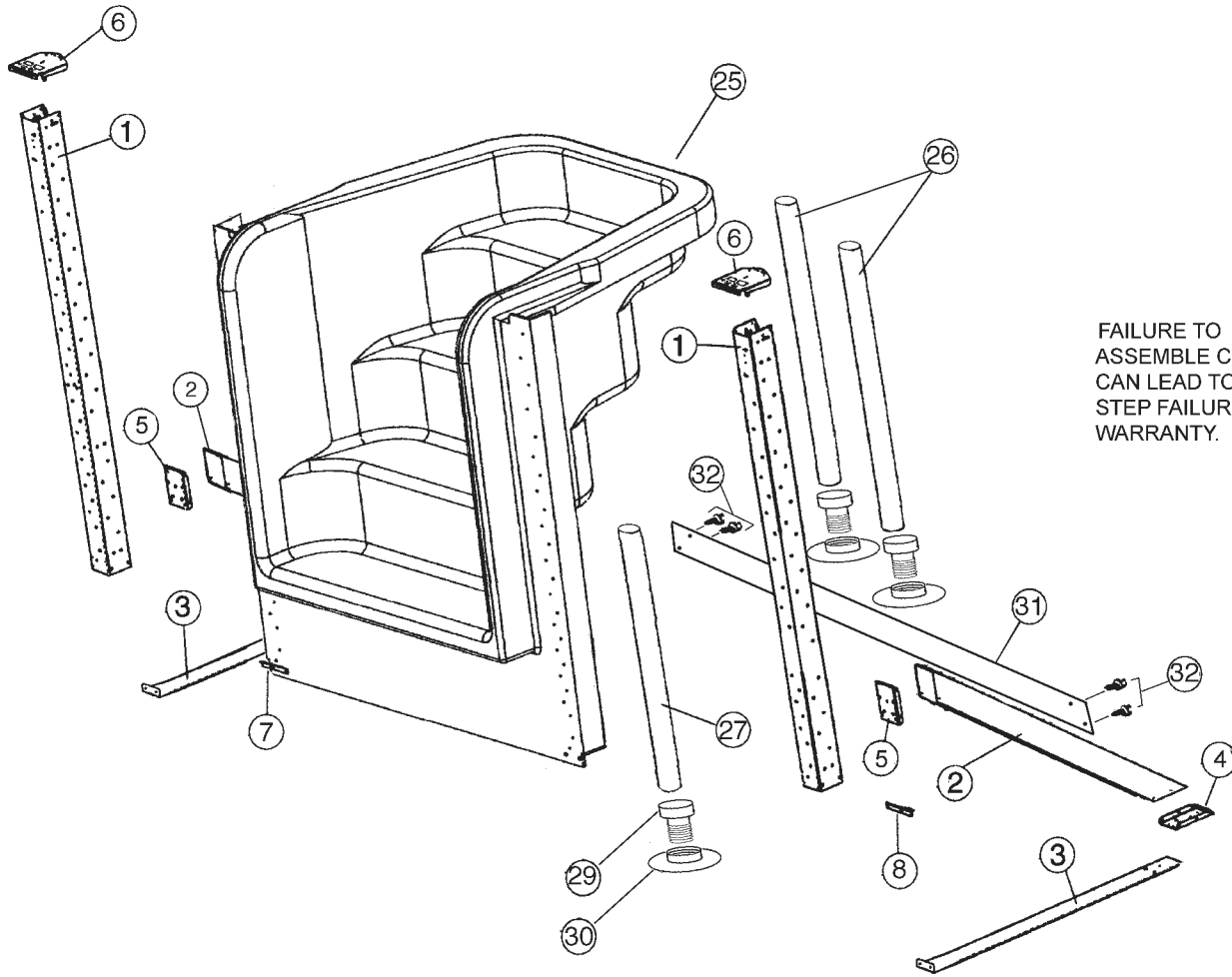
In Wall Pool Step and Frame Assembly  
0-5700-501 or 1-5700-501 (White)  
0-5700-502 (Gray)  
0-5700-503 (Blue)

---

**PARTS LIST**

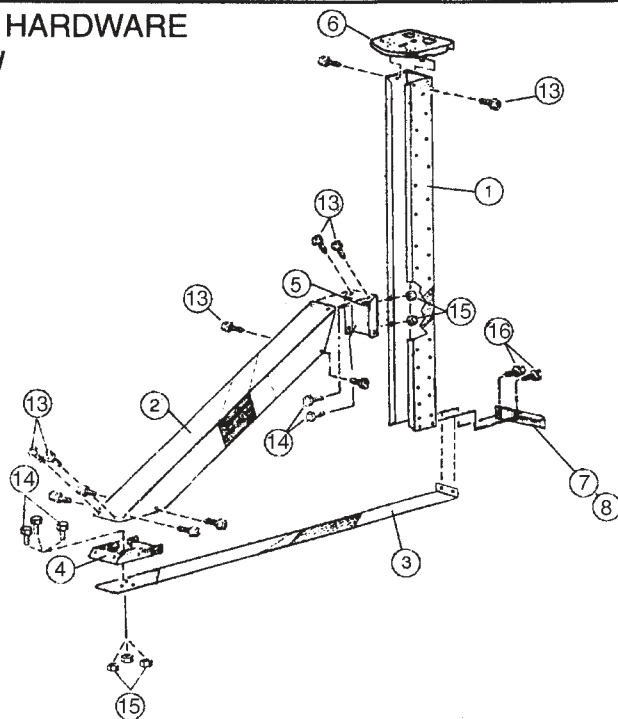


# EXPLODED PARTS VIEW



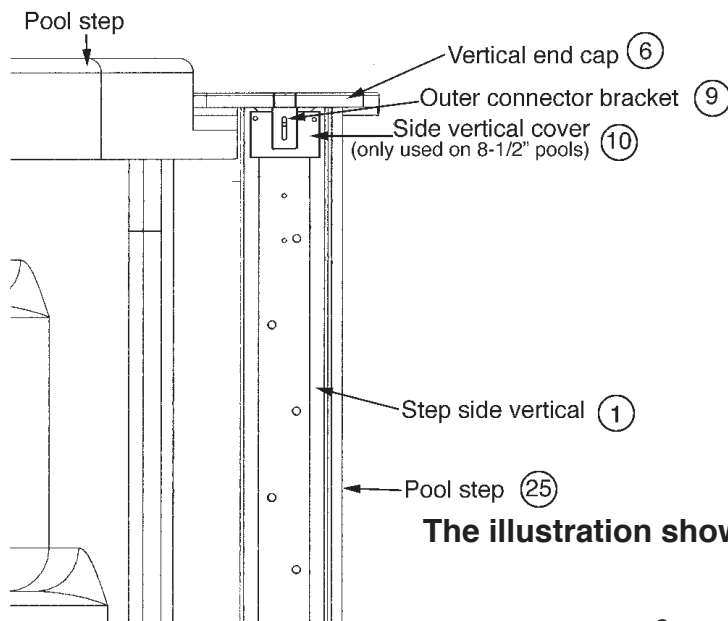
FAILURE TO ASSEMBLE CORRECTLY CAN LEAD TO POOL STEP FAILURE AND VOID WARRANTY.

## SUPPORT WITH HARDWARE CLOSE-UP VIEW



ITEM	DESCRIPTION	PART #	QTY
	<b>STEP ASSEMBLY</b>		1
1.	Step vertical	580-2384	2
2.	Vertical brace	580-1969	2
3.	Outside strap	580-2311	2
4.	Brace connector - long (unpainted)	580-1051	2
5.	Brace connector - short (painted)	580-2318	2
6.	Vertical end cap	580-2286	2
7.	Btm rail locator - left	580-2308	1
8.	Btm rail locator - right	580-2309	1
9.	Outer connector bracket	580-2128	4
10.	Side vertical cover	580-2103	2
11.	10-24 x 1/2" hex hd washer screw	510-1008	4
12.	10-24 square nut	321-1025	4
13.	Sheet metal screw #10 x 1/2"	330-1127	30
14.	Hex hd bolt 1/4-20 x 1/2"	510-1018	14
15.	Hex nut 1/4-20	511-1000	14
16.	Phillips pan hd screw #10 x 1/2"	510-1036	8
17.	1/4-20 Hex flange locknut	321-1029	54
18.	1/4-20 x 1" slotted or phillips screw	330-1151	54 -wall bolts (grade 5)
19.	Protective vinyl strip	535-1442	2
20.	Safety First Booklet	573-3169	1
21.	Parts List	573-3754	1
22.	A/G in wall step	573-3716	1
23.	Below grade installation instructions	573-3448	1
24.	No Diving decal	560-1044	1
25.	Pool Step (White)	80-8323101	1
	Pool Step (Gray)	80-8323102	1
	Pool Step (Blue)	80-8323103	1
26.	Support post 41.75"	341-1514	2
27.	Support post 31.75"	341-1515	2
28.	Support post 21.75" (not shown)	341-1516	2
29.	Pipe adapter	340-2127	6
30.	Base	340-2137	6
31.	Brace strap	580-2385	1
32.	#12 x 3/4" Hex washer hd screw	510-1035	4

BACK SIDE VIEW OF POOL STEP WITH VERTICAL



Items #9 and #10 are only used on the 8-1/2" Classic pool.

**The illustration shows correct hardware placement.**



Important! Above-ground pools are designed for swimming and wading only. Do not Dive or Jump! Misuse of your pool may result in crippling injury and/or other dangers to life and health. Do not use slides, diving boards, or any other platform or object which can be used for improper pool entry. Use only an above-ground swimming pool ladder or entry system to enter or exit your pool. Never attempt to swim or reach behind ladders or any other pool entry system. It is the pool owner's responsibility to secure the pool against unauthorized, unsupervised or unintentional entry. It is also the pool owner's responsibility to warn all pool users of the hazards of diving into shallow water: paralyzing injury may result. Always obey all safety rules. Remember, pool safety is everybody's responsibility.

Safety decals and caution information provided with your pool have been endorsed by the U.S. Consumer Product Safety Commission. It is mandatory that the pool owner and installer follow the installation and use directions for all provided safety signs and decals. Juveniles must be supervised at all times by a responsible adult as directed by the USCPSC.

Change of Design: The manufacturer expressly reserves the right to change or modify the design and construction of any product in due course of their manufacturing procedures, without incurring any obligation to furnish or install such changes or modifications on products previously or subsequently sold.

HII • 315 N. Sebastian St. • West Helena, AR 72390