



Media Master

Sand Filter with 4 Position Valve
Model 1300 — Item No. 0-1701-013

Owner's Guide



*Shown with Power Pak I, not included.



“READ ALL INSTRUCTIONS” Failure to follow these important safety instructions and other basic safety precautions may result in serious personal injury.

IMPORTANT SAFETY INSTRUCTIONS

Before you begin installing your filter, refer to your pump owner's guide for very important installation and electrical information related to your filter.

ELECTRICAL/BUILDING PERMIT

Local building codes may require obtaining an electrical or building permit and may have regulations on setbacks and barriers that **must** be followed.

ELECTRICAL

We recommend you have a qualified electrical contractor install the electrical power supply as specified in your pump instructions.

INSTALLED LOCATION

Position filter, pump and any other related components a minimum of 5 feet from pool to prevent their being used as a means to climb into the pool by young children. **DO NOT** store toys, chairs, tables, containers or other objects within 5 feet of the pool for the same reason.

WARNING

SEVERE ELECTRICAL SHOCK could result if you install your filter and pump on a deck or above pool water level. They could fall into the water, causing severe shock or electrocution. **DO NOT** install on a deck or other surface at, above or slightly below the top rail of the pool.

PROPERLY SUPPORTED

Filter, pump and any other related components should be properly supported to prevent damage from misalignment, settlement, vibration and mounted so as to minimize the potential for the accumulation of debris and moisture.

ACCESSIBILITY

The circulation system components should be installed to allow accessibility for inspection, repair or replacement.

DO NOT alter the pump electrical cord in any way or change the plug end to any style.

DO NOT use an extension cord(s). Severe electrical shock may occur.

PREVENT SEVERE SHOCK

To prevent the risk of severe electrical shock, plug your pump cord end into a grounding type receptacle protected by a ground fault circuit interrupter (GFCI). Contact a qualified electrician if you cannot verify that the receptacle is protected by a GFCI.

DO NOT allow children to operate or play around this product unless they are closely supervised by adults at all times.

Replace damaged cord immediately to reduce the risk of electrical shock.

DO NOT BURY CORD

An exposed cord may accidentally become damaged or severed by a sharp object or shovel resulting in severe electrical shock. Position cord to prevent accidental damage from lawn mowers, hedge trimmers or other equipment.

BARE FEET/WET GROUND

This is a dangerous combination around electrical equipment. Always be sure the ground under your feet and body is dry before you touch electrical equipment. Failure to heed this warning may cause severe personal injury or electrocution due to severe electrical shock.

WARNING

Avoid direct water spraying with a garden hose around electrical outlets, pump or any other electrical devices. Severe electrical shock or electrocution may occur.

SERVICING YOUR PUMP

Always unplug your pump from the receptacle before servicing, adjusting or repairing.

Did you read the **IMPORTANT SAFETY INSTRUCTIONS?** If not, **READ THEM NOW.** They contain very important safety information related to the installation of your filter.

Familiarize yourself with the installation sequences by reading these instructions first. **AVOID SHORTCUTS** that may result in reworking the installation.

BEFORE YOU BEGIN

The pool must be properly erected per your pool assembly and installation instructions before installing the filter. Install the surface skimmer and return fitting.

Before completing the filling of the pool to the water level indicator marks on the skimmer face plate, the filter and pump should be installed with all connections secured tightly.

TOOLS REQUIRED

- Flat head screwdriver
- Phillips screwdriver
- Flat shovel
- Measuring tape
- Carpenter level

MATERIALS REQUIRED

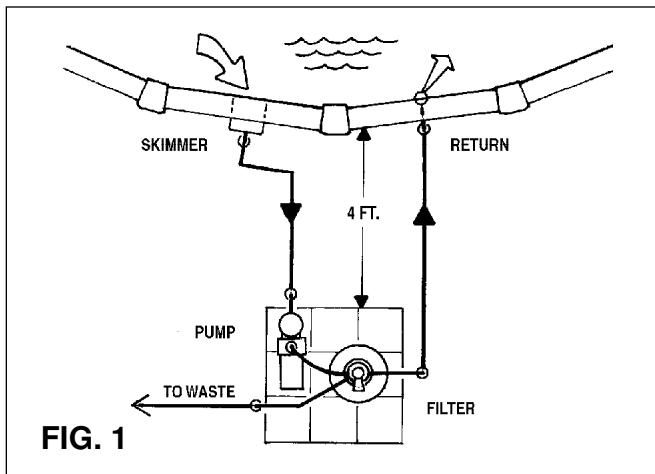
- Nine 12" x 12" patio blocks
- Waste hose - 1-1/2" inside diameter
- Medium sized rubber band (3" long)
- Ordinary plastic bag
- 80 lbs. #20 grade filter sand
- 1-1/2" hose clamp
- Silicone lubricant (available at pool dealer)

INSTALLATION

INSTALLATION LOCATION

Install your filter and pump and any other related components at least 5 feet from the pool to prevent their being used as a means of access to the pool by young children. Patio blocks provide firm support and keeps standing water and weeds away from electrical parts.

DO NOT install your filter and pump directly on the ground surface. Settling and stressing of circulation lines may occur during wet seasons. Position patio blocks as illustrated, use a shovel and carpenter's level to level ground before placing the blocks.



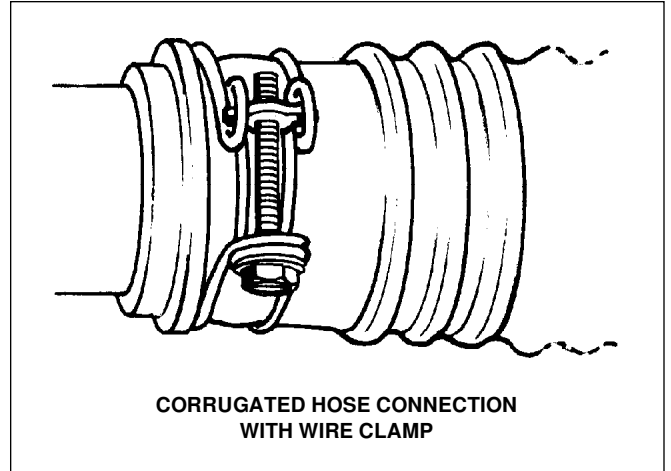
POSITIONING FILTER/PUMP

Position the filter and pump as shown in FIG. 1.

INSTALL HOSES

(See Fig. 1 and Exploded Parts Illustration)

IMPORTANT: Incorrect hose hook-up could cause damage to your filter system. Follow the instructions below carefully.



Suction and return lines should be partially buried to prevent accidental tripping that could cause personal injury or damage to the filter system.

Be sure the hoses are routed so that water flow through them is not restricted.

Starting at least 12" from the pool wall, make two 3-4" deep trenches, one from the pool skimmer to the front of the pump and the other from the pool return fitting to the filter valve return port.

The two 8 ft. long hoses (Items 6) are interchangeable and used for the suction and return lines. Slip a hose clamp over the ends of each hose prior to installing. Connect one long hose (suction line) between the pool skimmer and front port of the pump. Connect the other long hose (return line) between the pool return fitting and the filter/valve port **opposite** the pump port. Connect the short hose (Item 24) between the pump discharge port (located at top of pump) and the filter/valve port marked "PUMP". Tighten clamps firmly using a flathead screwdriver or 5/16" nutdriver. Cover the trenches with a firm board when finished.

NOTE: Do not completely bury the hoses with dirt.

ELECTRICAL OUTLET

Refer to your pump owners guide for detailed information pertaining to the requirements and regulations for safe electrical installation of the power supply, receptacle outlet, switching and ground fault interrupter.

WASTE LINE HOOK-UP

The discharge waste water will contain pool water treatment chemicals that may harm certain plants and vegetation. Therefore, position the discharge end of the waste line in a safe, out-of-sight area capable of accepting 150 to 200 gallons of waste water. Install a 1-1/2" inside diameter waste discharge hose (not supplied) on the **waste** port, located on the valve. Remove waste port cap and slip a 1-1/2" hose clamp (not supplied) over one end of the hose. Then, push hose fully onto the waste port and tighten clamp firmly.

INSTALL FILTER SAND

Your filter is designed to provide peak performance using #20 grade filter (.4/.5 mm) sand. The sand should be uniform in size and appear as crushed sand with sharp edges. Rounded river bed sand will impair filtering performance. Consult your local pool store.

REMOVE COVER CLAMP

Turn tank clamp screws counter-clockwise to loosen clamp and remove.

REMOVE COVER

Lift cover off tank. Remove large O-Ring.

COVER DISTRIBUTOR

Slip a plastic bag over the distributor and secure with rubber band.

INSTALL SAND

Gently pour 80 lbs. of filter sand into tank and level surface with palm of hand. Remove any sand from plastic bag and tank flange sealing surface. Remove rubber band and plastic bag.

REINSTALL COVER

Position large O-Ring on tank flange sealing surface and place cover on top of tank, aligning O-Ring into cover groove. Install tank clamp, sandwiching cover and tank flanges. Tighten tank clamp screws securely.

FINISH FILLING POOL

Finish filling your pool, referring to skimmer installation and pool assembly instructions for proper water level.

VALVE OPERATION

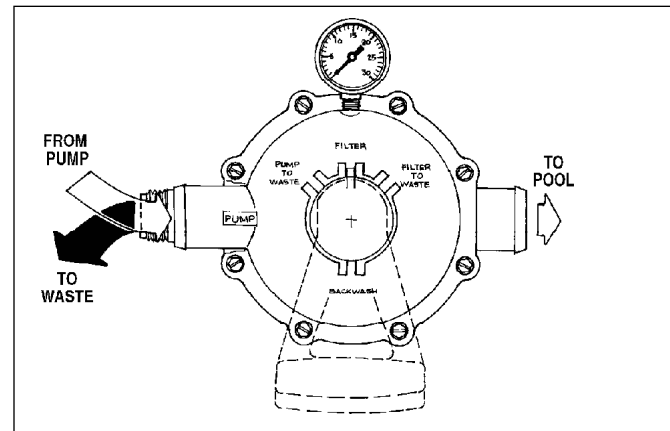
Your new filter has four positions of operation, which are explained below. To change positions of the valve, make sure the pump is **OFF**. Press down on the valve handle enough to free the locking tab. Rotate the handle so the tab **LOCKS** in the desired position.

FILTER: Normal pool filtering position. May also be used when vacuuming the pool.

BACKWASH: Backwashing reverses the flow of water through the filter to flush out dirt and debris, and waste water is discharged to waste from the valve body port below the pump discharge port labeled "PUMP".

FILTER TO WASTE: Place the valve handle in the "Filter to waste" position after backwashing your filter. (Normally, for only 10 seconds).

PUMP TO WASTE: This position allows you to vacuum heavy debris or larger amounts of settled contaminants from the pool floor directly to waste.



INITIAL START UP

Before you begin filtering your pool, the filter sand must be backwashed thoroughly to remove the extra fine sand grains normally found in new filter sand.

1. Loosen the pump strainer pot lid to allow air to escape. Tighten lid when water begins to flow between strainer pot lid and strainer body. Do not over tighten.
2. Plug in your pump to the GFCI protected receptacle. Refer to **WARNINGS**.
3. Remove waste port cap and install a waste hose. Route hose to a safe place (See instructions for Waste Line Hook-up).
4. Push down on the valve handle and rotate to the BACKWASH position. Make sure valve handle indexes into the tabs on cover.
5. Start pump. During this initial start-up, allow 4 to 5 minutes to flush out the super-fine sand grains to prevent them from plugging the underdrain slots. Because pool water is lost during this operation (150 to 200 gallons), keep a close check on pool water level. Never let water level get so low that no water flows to pump. Replenish as required.
6. Stop pump. Push down on the valve handle and rotate to the FILTER TO WASTE position. Start pump and allow to run approximately 10 seconds to eliminate any "cloudy puff" out the return fitting inlet, then stop pump.
7. Push down on the valve handle and rotate to the filter position and start pump. Note the pressure reading on your pressure gauge for future reference of when to backwash.
8. Check all fittings and hoses for leaks and connect if necessary.

FILTER OPERATION

A newly filled pool is normally filled with unfiltered water and usually requires continuous filtering for 24 to 48 hours along with chemical treatment of the pool water. Because all pool installations vary in environmental conditions (wind, rain, airborne debris, heat and pool use, etc.), it is impossible to provide an accurate filtering time for normal usage. Use a trial and error method to determine how long your filter must operate each day.

Generally, 6 to 8 hours of filtering each day is sufficient to maintain pool clarity if the pool chemical treatment is correct.

As the water clears, less backwashing will be required. Consult your local pool store for helpful advice in keeping your pool clean and sanitary.

When possible, avoid operating your filter during peak electricity demands in your community. Check with your local electric utility company for the best times they recommend for operating your filter pump.

WHEN TO BACKWASH

As your filter removes debris from the pool water during the filtering process, the return flow will gradually decrease. Backwash when the pressure gauge increases 5 to 7 pounds above the clean filter starting pressure. Normal backwash duration is 1-1/2 to 2 minutes or until water runs clear.

VACUUMING YOUR POOL

When vacuuming your pool, debris is caught in the filter at a very rapid rate. Consequently, the filter must work harder, causing a rapid increase in filter pressure as will be indicated on the pressure gauge. Frequent backwashing could be necessary during this process depending on the amount of dirt being vacuumed off the pool floor. Keep a check on the pool water level and refill as required.

MAINTENANCE

Preventative maintenance will provide continued smooth performance and extend the life of your filter for many years. Neglect will cause parts to wear or bind, leaks to occur and could result in costly repairs. Keep moving parts lubricated and maintain a clean environment around your filter and related components.

LUBRICATION

There are various types of lubricants available. However, most are intended for moving metal parts. Unfortunately, these lubricants will harm or degrade the plastics. **DO NOT** use petroleum base lubricants. Many people consider "PETROLEUM JELLY" safe for babies and can be applied to anything. But, it will **DESTROY** most plastics and o-ring seals. Silicone lubricants, available at your pool dealer, are safe for use on plastics and o-rings.

LUBE VALVE SHAFT

To lubricate the O-Ring on the valve shaft, depress valve handle fully and apply lubricant on the shaft between handle and valve cover. Then, rotate handle to distribute lubricant. Resume normal filter operation by rotating handle to the **Filter** position and start pump.

REPAIRS

Servicing should be performed by a qualified dealer. If disassembly is attempted, mark each of the parts assembled position as it relates to its mating parts. This assures proper alignment when reassembled. Malfunction will occur if not properly assembled. See your dealer for original replacement parts.

CAUTION

Always unplug your pump from the electrical receptacle BEFORE removing filter or pump from pool for servicing, **and** prevent the backflow of water from your skimmer and return inlet from flowing out of disconnected hoses.

1. Remove skimmer cover and basket and plug inside bottom hole with rag.
2. Referring to the instructions for your return inlet, remove the inlet cover and eye ball. Insert the winterizing disc and reinstall the cover.
3. Disconnect hoses on filter or pump as necessary when removing for service or repairs.

DRAIN TANK

See Caution Above

1. Loosen tank clamp screws and remove tank clamp from filter. Remove cover and o-ring.
2. Remove tank drain cap to drain.
3. Place plastic bag over distributor in tank and secure with a rubber band. Scoop out sand with a medium size can and place in plastic bag.
4. After servicing, reassemble and install in reverse. Make sure tank o-ring and sealing areas are free of any sand and that the o-ring is re-lubricated with silicone lubricant, and properly seated in the cover groove before replacing cover.

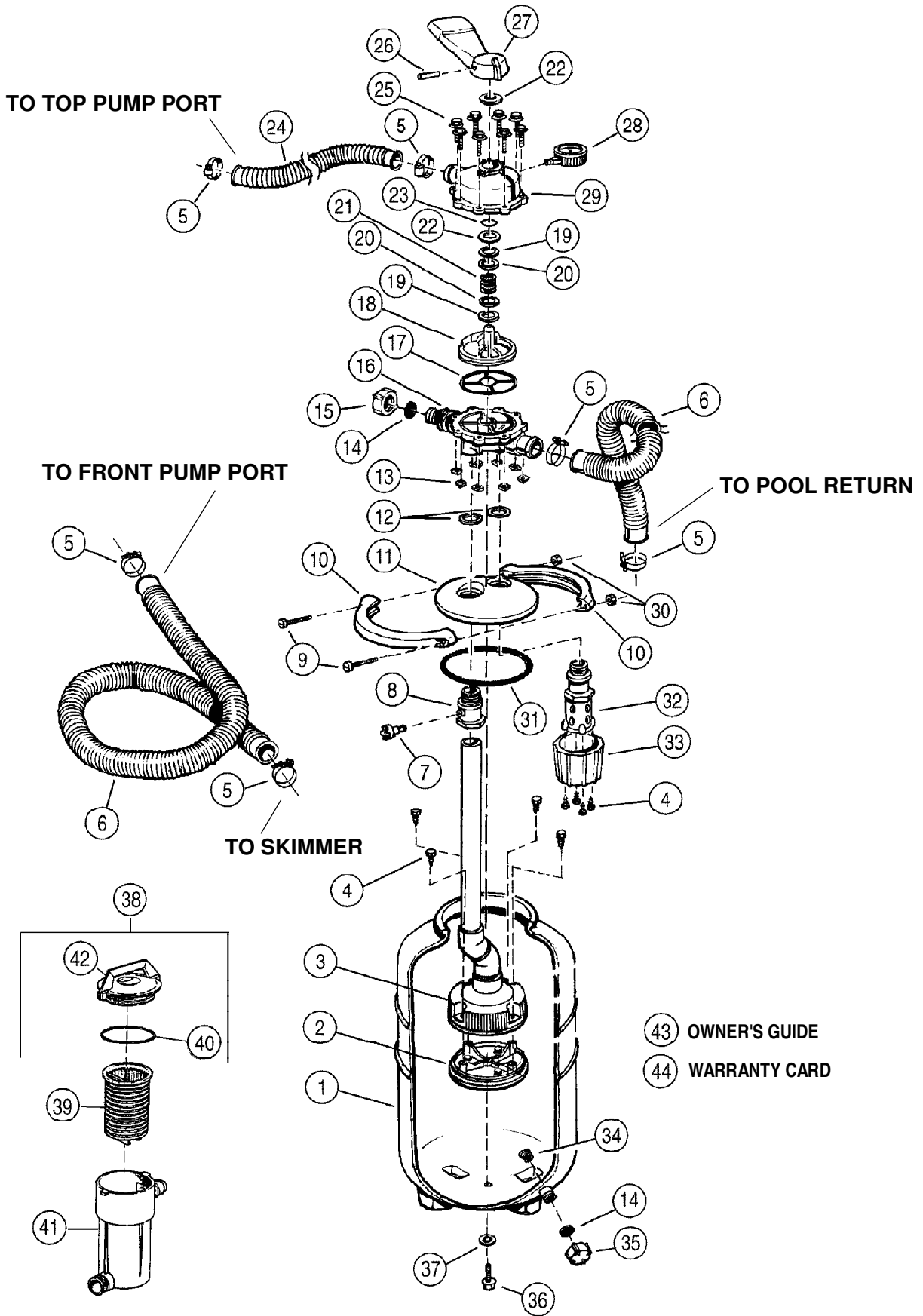
WINTERIZING FILTER

In areas subject to freezing damage, it is mandatory that the filter, pump and any related components be removed from the pool and stored indoors. (Refer to individual components owner's guide such as pump, skimmer, chlorinator, etc., for specific winterizing instructions.)

1. Backwash the filter.
2. Siphon pool water level down below skimmer opening by using your vacuum hose and allow water to flow to an area that can accept a couple of thousand gallons or more.
3. Remove tank clamp from filter and remove cover and o-ring.
4. Remove tank drain cap and allow tank to drain fully.
5. Disconnect all hoses.
6. Place plastic bag over distributor in tank and secure with a rubber band. Scoop sand out with a medium size can and place in plastic bag. If sand is not badly contaminated, save for next season.
7. Store all components in a warm dry area indoors.

DAMAGE CAUSED BY FREEZING TEMPERATURES IS NOT COVERED BY PRODUCT WARRANTY.

EXPLODED VIEW MEDIA MASTER 1300



PARTS LIST
MEDIA MASTER MODEL 1300

ITEM	PART #	QTY	DESCRIPTION
*1	1121-1574	1	Tank
2	1107-1636	1	Underdrain Base Assembly
3	1107-1634	1	Underdrain Assembly
4	330-1023	8	#8 x 5/8" Screw
5	387-1017	6	Hose Clamp
6	346-1035-1	2	1-1/2" x 8' Hose
7	343-1100	1	Air Relief
8	340-2291	1	Valve Adaptor
9	330-1260	2	1/4-20 x 1-1/2" Mach. Screw
10	340-2183	2	Tank Clamp
11	1121-1586	1	Tank Cover
12	308-1109	2	Valve Port Gasket
13	321-1064	8	10-24 Square Nut
14	307-1001	2	Drain Cap Gasket
15	340-1035	1	Drain Cap
16	1107-1384	1	Valve Body - 4 Position w/gasket
17	308-1182	1	Valve Gasket - 4 Position
18	340-1766	1	Valve Rotor
19	340-1826	2	Friction Washer
20	327-1006	2	Valve Bearing Washer - Stn. Stl.
21	396-1023	1	Spring
22	327-1007	2	Friction Washer - Delrin
23	308-1174	1	O-ring - 1.046 I.D. x .139 c/s
24	346-1013-1	1	1-1/2" x 2-1/2' Hose
25	330-1174	8	10-24 x 1" Mach. Screw
26	376-1050	1	Handle Pin
27	340-1764	1	Valve Handle - 4 Position
28	395-1014	1	2" Pressure Gauge
29	340-2026	1	Valve Cover
30	321-1082	2	1/4-20 Hex Nut
31	308-1265	1	O-ring - 7.225 I.D. x .275 c/s
32	340-1284	1	Distributor Body
33	340-1288	1	Distributor Dish
34	340-2200	1	Drain Screen
35	340-1962	1	Drain Cap
36	330-1245	1	5/16" x 1-1/4" Bolt
37	308-1225	1	5/16" Thread Seal
38	1300-1014	1	Strainer Pot Assembly
39	1300-1002	1	Basket
40	308-1004	1	O-ring
41	340-1779	1	Strainer Body
42	1121-1436	1	Strainer Lid w/Decal
43	365-1918	1	Owner's Guide
44	---	1	Warranty Card

* Includes Items 14, 34 & 35.

TROUBLESHOOTING SAND FILTERS

PROBLEM	POSSIBLE CAUSE	REMEDIES
1 - High gauge pressure, low return flow.	<ol style="list-style-type: none"> 1 - Insufficient backwashing. 2 - Excessive contaminants or algae in sand. 3 - Filter sand is too fine. 4 - Underdrain plugged. 	<ol style="list-style-type: none"> 1&2 - Backwash filter. 3 - Use #20 filter sand. 4 - Replace sand after cleaning underdrain slots.
2 - Low gauge pressure, low flow. Pump suction drawing in air. Pump sounds like marbles rattling in it.	<ol style="list-style-type: none"> 1 - Water level too low in pool. 2 - Restriction on suction side of pump. 3 - Skimmer or strainer basket filled with debris. 	<ol style="list-style-type: none"> 1 - Fill pool so water is between marks on skimmer face plate. 2 - Clear obstruction in skimmer, hoses or pump. 3 - Clean skimmer and strainer baskets.
3 - High flow, low or normal gauge pressure but pool water will not clear up.	<ol style="list-style-type: none"> 1 - Pool water is chemically out of balance. 2 - Sand too coarse. 3 - Sand grains rounded or worn. 	<ol style="list-style-type: none"> 1 - Check with test kit or contact dealer. 2 - Use #20 filter sand. 3 - Use crushed #20 filter sand.
4 - Short filter cycles.	<ol style="list-style-type: none"> 1 - Excessive contaminants or algae in sand or pool. 2 - Improper backwashing. 3 - Sand too fine. 	<ol style="list-style-type: none"> 1 - Check chemical balance. Filter will require frequent backwashing. 2 - Backwash filter thoroughly. Waste hose too long or restricted. 3 - Replace sand with #20 filter sand.
5 - Sand entering pool.	<ol style="list-style-type: none"> 1 - Defective underdrain. 2 - Sand too fine. 	<ol style="list-style-type: none"> 1 - Replace underdrain. 2 - Use #20 filter sand.
6 - Water leaking to waste.	<ol style="list-style-type: none"> 1 - Valve not seated in filter position. 2 - Defective gasket in valve body. 	<ol style="list-style-type: none"> 1 - Actuate valve handle and make sure valve is seated. 2 - Replace gasket or contact dealer.

Note: Contact your pool dealer for any problems you cannot solve.

Change of Design: Doughboy Recreational expressly reserves the right to change or modify the design and construction of any product in due course of our manufacturing procedures, without incurring any obligation or liability to furnish or install such changes or modifications on products previously or subsequently sold.



DOUGHBOY RECREATIONAL • 315 N. Sebastian St. • West Helena, AR 72390
Visit our website at www.doughboy-pools.com